

T-MAR
INDUSTRIES LTD.

MAKING OUR CUSTOMERS
MORE COMPETITIVE



Extreme Duty MK2 Series

T-MAR GRAPPLES



**MOVE
MORE
WOOD!**

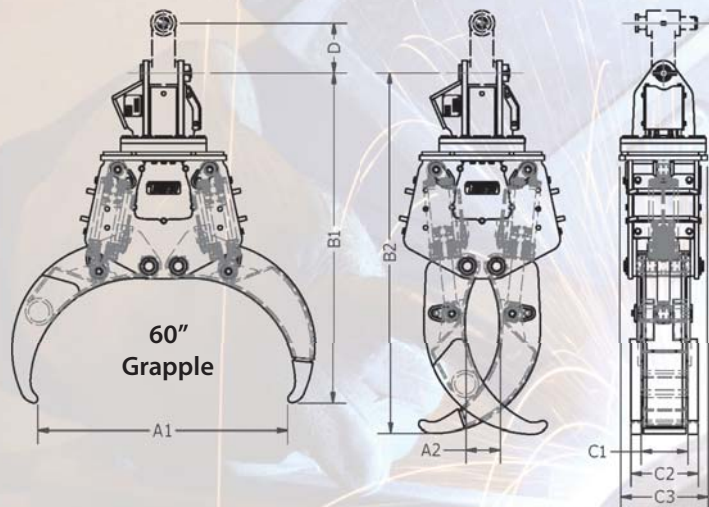


Engineered to Mate with High-Pressure Systems.

- QT100 /T1 Plate Construction
- Large Diameter Swing Bearing
- Extreme Duty HIGH PRESSURE Cylinders
- Easy Access to Cylinders & Rotary Swivel
 - Simple Trouble Free Rotary Swivel
- Large Rotation Motor c/w Dual Cross Port Reliefs (360° Rotation)
- Replaceable Tip
- Solid Cast Hanger Link or Pass Thru Link
- The T-MAR Grapple Saw is a great addition, increase machine production and eliminate the need for a second loader.

www.tmarequipment.com

Extreme Duty MK2 Series



Grapple Model 60"

A1 - Open (inside)	59 15/16"
A2 - Closed (inside)	8 1/4"
B1 - Height Open (inside)	79 1/4"
B2 - Height Closed (inside)	86 7/16"
C1 - Inside Jaw Width (inside)	11 3/16"
C2 - Outside Jaw Width (inside)	16 3/16"
C3 - Body Width (inside)	21"
D - Link Length (inside)	12"
12" Link Assembly Weight	147 Lbs.
03 Heel Pin Weight	30 Lbs.
Weight (Less Link & Heel Pin)	3350 Lbs.

Options • Pass Thru Hanger Links • Heel Racks



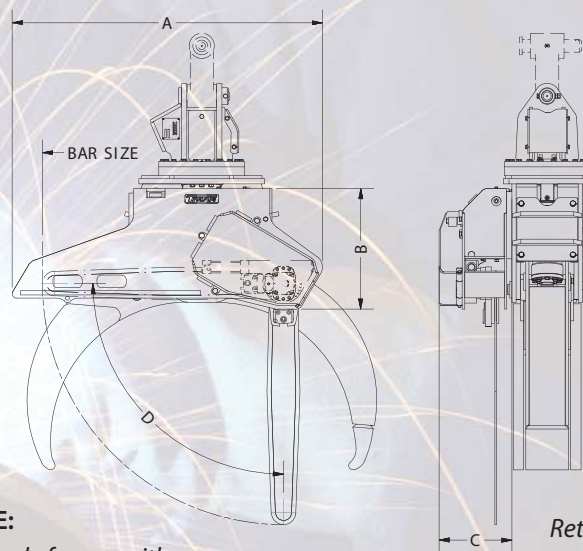
Made in Canada

Head Office & International Sales: 250-286-9500

Western USA Sales (Roy Meier): 360-490-1215

www.tmarequipment.com

Extreme Duty w/Saw Unit



NOTE:

• Grapple for use with Saw Unit requires a T-MAR Saw Rotary Swivel Assembly.

Retrofits available for your existing grapple.

Saw Unit Specs

Bar Size (Harvester Type, 3/4")	45"
A - Housing Length	67 5/16"
B - Housing Height	28 13/16"
C - Housing Depth	17 3/8"
D - Cut Range (Degrees)	90°
Approximate Weight of Saw Unit	1060 lbs.

Features

- Hultdins Supercut 300 Saw Unit
- T-MAR Heavy Duty Steel Saw Housing with integrated Chain Oil Tank
- Saw Sequencing Valve
- Integrated Saw Control Valve, requires no additional valving on carrier for simpler installation
- Provision for fast and easy saw bar and chain installation
- 3/4" Pitch (11H) Saw Chain
- 45" Bar (Standard)
- Salvage and process blow down from the safety of the cab.
- Buck to length and trim without hampering the ability to hoe chuck or load logs.
- Reduce waste at the Sort by leaving it at the roadside or landing.
- Backed by our Superior Parts & Service Support!

